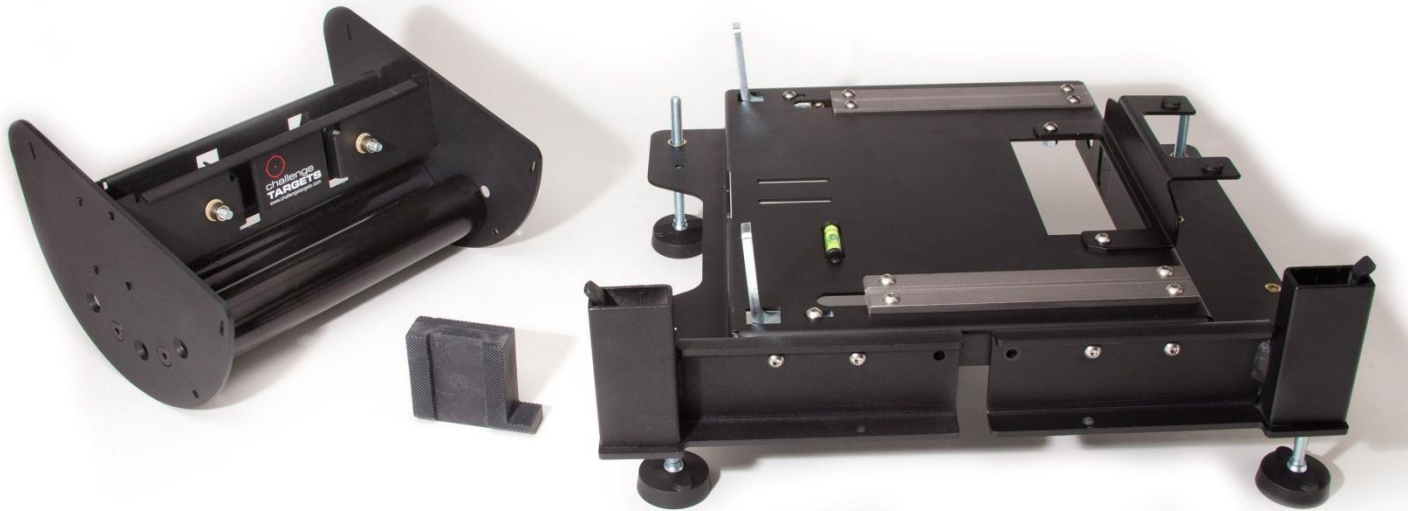


# ***EXTREME* HOSTAGE TARGET**

*Model Number: CT101*

## Safety / Set-up / Use



*Patent Pending*

Document Revision 9/5/2011



# Table of Contents

Safety guidelines	Page 3
Target overview	Page 4
Locating your target	Page 5
Rocker Installation	Page 6
Target Construction	Page 7
Target Installation	Page 8
Position Rocker on Base	Page 9
Stop Stick Installation	Page 10
Warrantee	Page 11

---

# Safety Guidelines

## **Warning**

*Failure to read, understand, and follow the enclosed information prior to the use of our products greatly increases the risk of injury or death. You should read and fully understand the enclosed instructions prior to using our products.*

### General Safety Rules

1. Treat all firearms as though they are loaded.
2. Keep your finger off the trigger and outside the trigger guard until you are on target and ready to shoot.
3. Keep the muzzle in a safe direction at all times.
4. Be sure of your target and what is beyond it.

### Safety Guidelines for our Extreme Hostage Target

1. Always wear wrap around shatter resistant ANSI approved shooting glasses and hearing protection.
2. Long pants (no shorts), long sleeve shirts, brimmed hat, and closed toed shoes are recommended.
3. Instructors and observers should stand behind the shooter and obey all safety rules.

Challenge Targets products are intended for specific use as part of an inherently dangerous activity. Use only in the intended manner in compliance with these safety guidelines. Even when used properly, the potential of injury or property damage exists. All risk of injury, damage, or use is assumed by the purchaser or user of Challenge Targets products. **Serious injury or death may result from the improper use or misuse of this product.**

# Target Overview

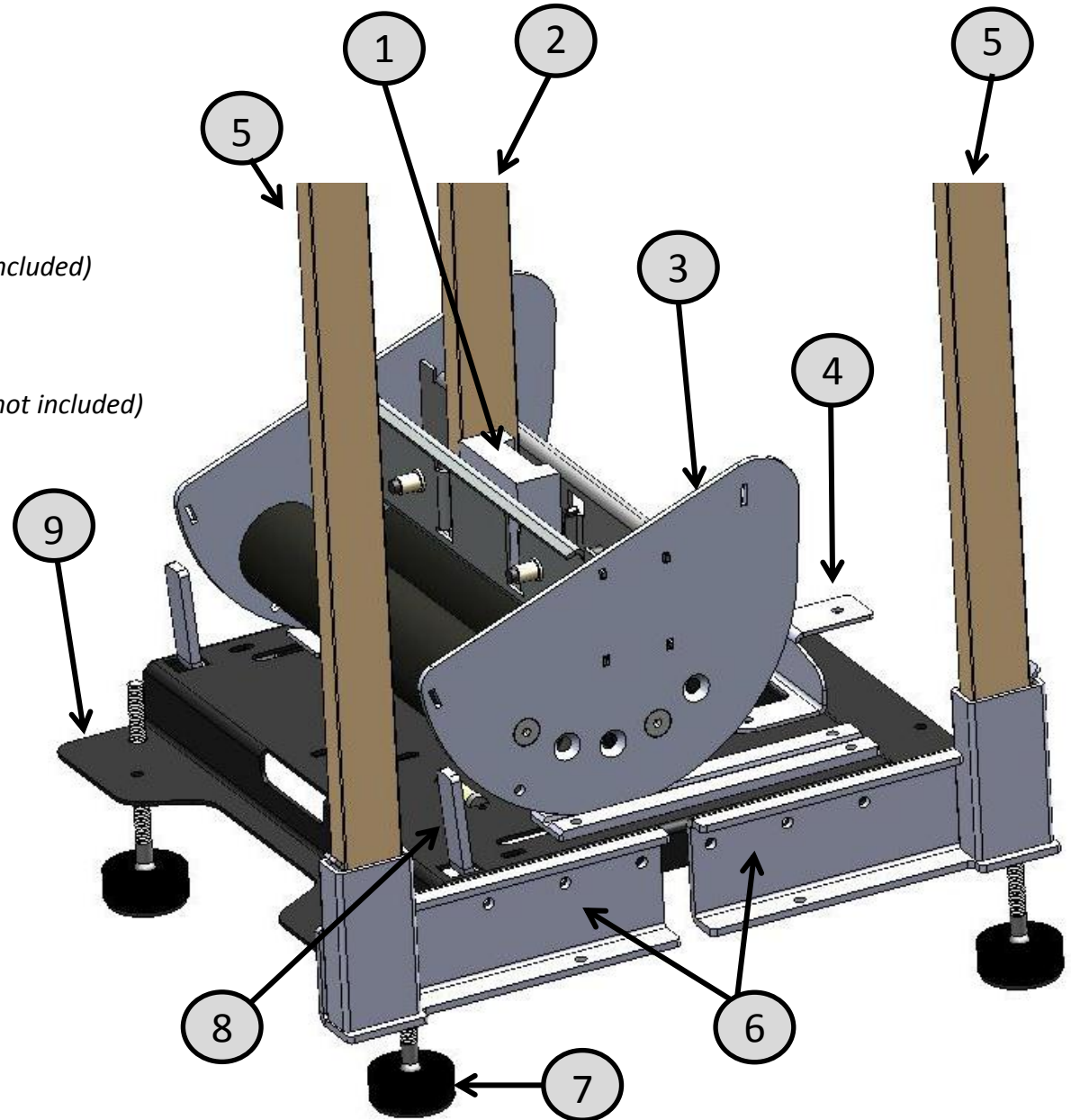
## Major Components

- 1) Post Shim
- 2) Wood Furring Strip- moving (*not included*)
- 3) Rocker Assembly
- 4) Back Stop
- 5) Wood Furring Strips- stationary (*not included*)
- 6) Left & Right Barrier Bracket
- 7) Level Feet
- 8) Brake Tab
- 9) Base Assembly

### Note:

Your target system is made from high quality, durable, materials, however, the target mechanism is not designed to withstand bullet strikes. The Rocker Assembly, Base, and related components, must be protected to prevent damage. Damage to the target mechanism caused by projectiles is not covered under the product warrantee.

Ask your distributor or visit our web site for information regarding our optional Armor Protection Kit. [www.challengetargets.com](http://www.challengetargets.com)



# Selecting the Location for your Targets

**Always know what is in front and behind your target. Determine that you have a safe backstop or background!**

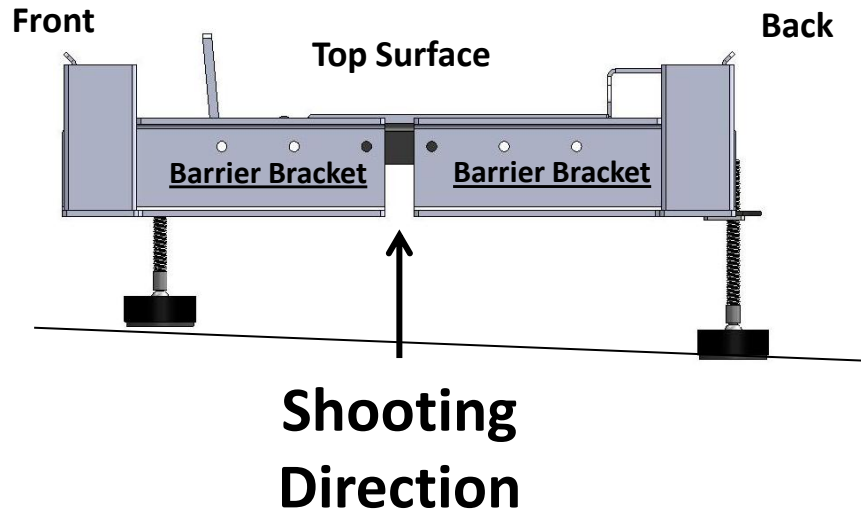
Your Hostage Target comes equipped with four Level Feet which can be used for leveling the target on uneven terrain. It is best however, if you select the most level terrain possible for placement of the target.

The ground should be stable, not muddy or marshy, so the feet do not sink into the ground.

## Positioning and Leveling the Base

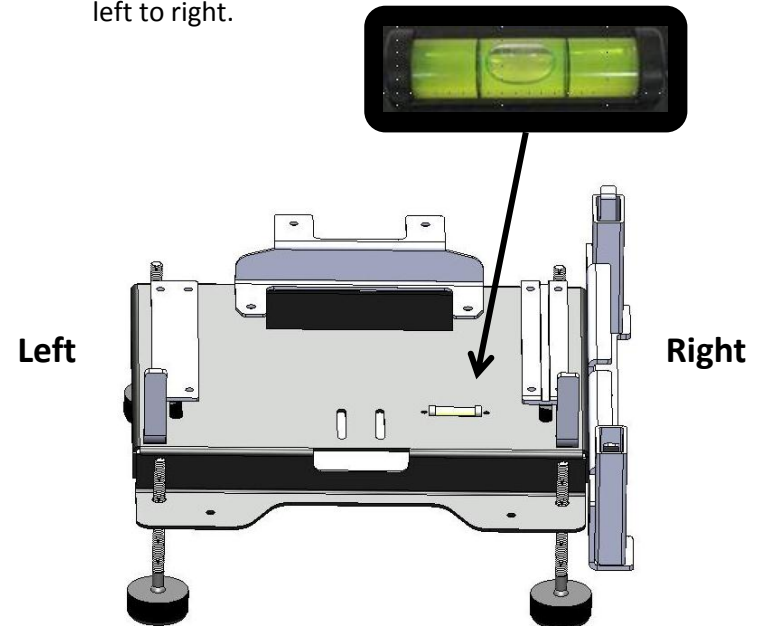
### Step 1

Position Base Assembly so the Barrier Brackets are facing the shooting direction and make sure all four feet are on stable ground. Using the four level feet, visually level the base front to back so the top surface is approximately level regardless of the slope of the terrain.



### Step 2

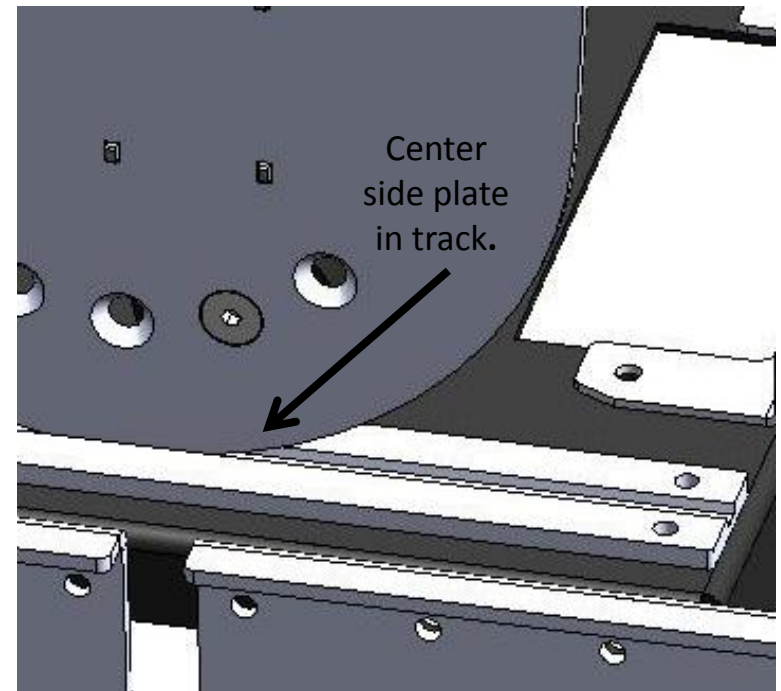
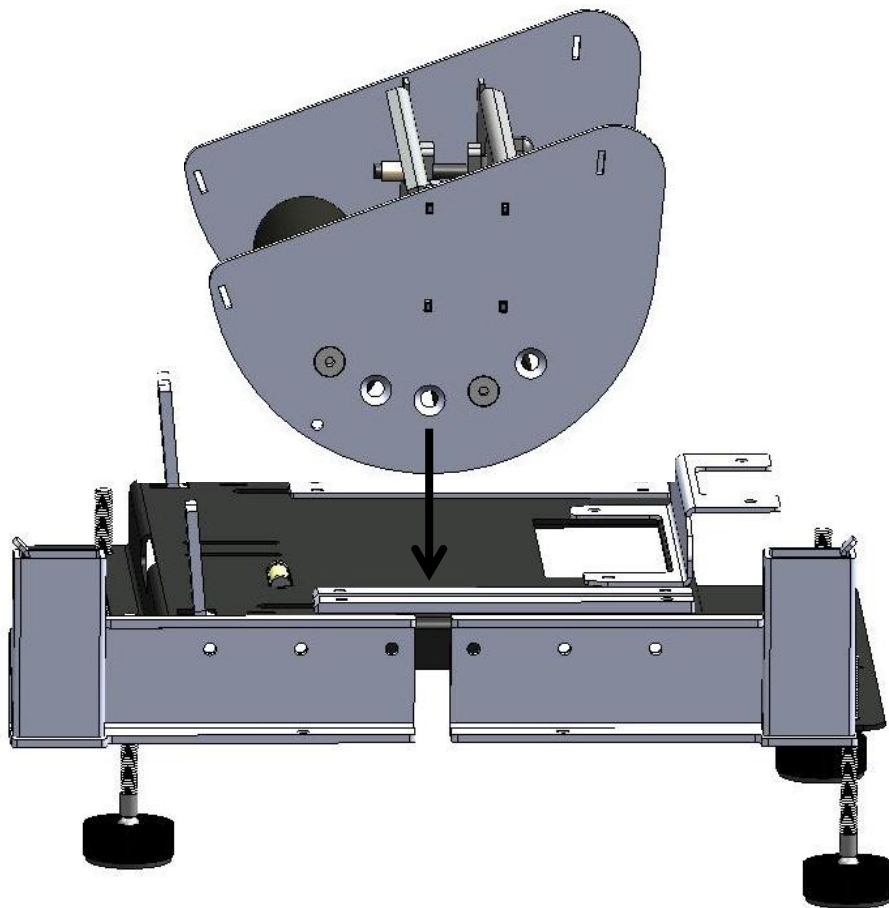
Using the bubble level and four adjustable feet, level the base left to right.



# Rocker Installation

## Step 1

Set Rocker Assembly on Base as shown. Rocker Side Plate should be centered in groove of track.



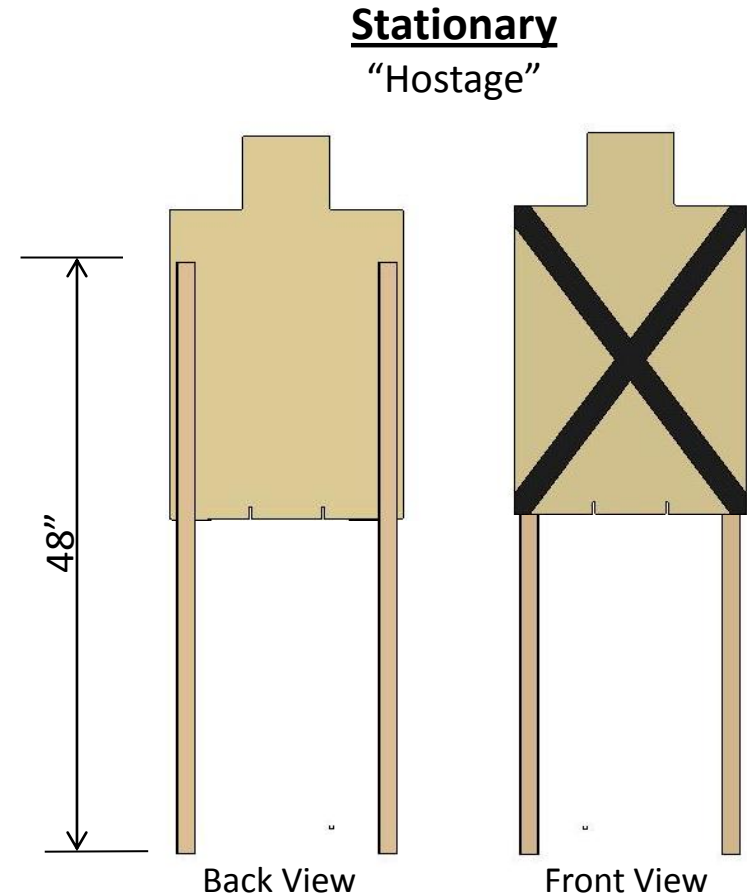
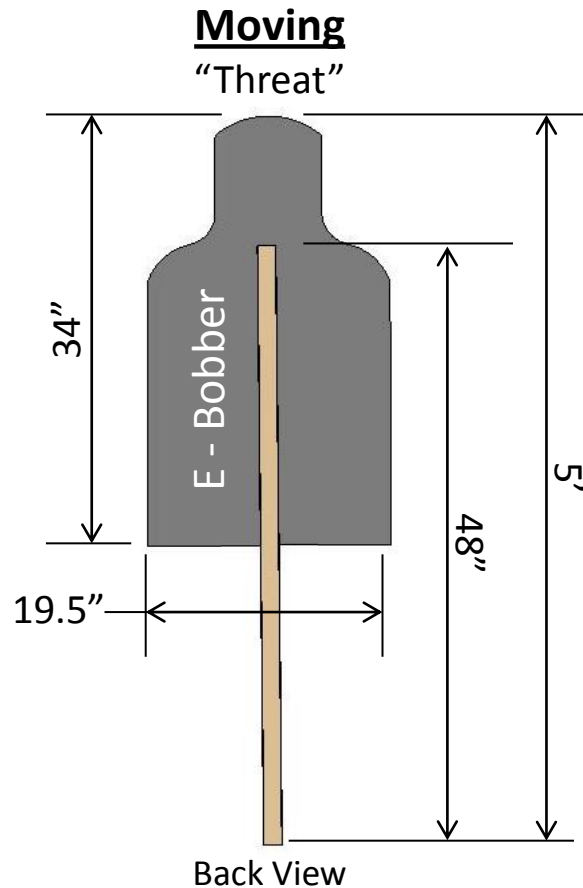
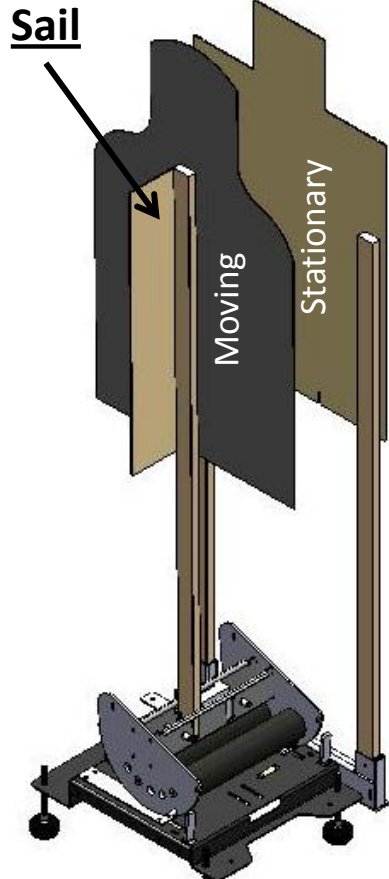
# Target Construction

*All targets should be mounted using standard wood 1x2 furring strips cut to 48" length.*

**Moving Target** - the moving target is weight sensitive and only single wall corrugated material should be used. Standard USPA / IPSC targets work well with no modification required. If "E - Bobber" style targets are used, trim length to 34" to reduce the weight. Rectangular target backers up to 23"x35" can be used but the furring strip length and overall length should be reduced by 6" to reduce the weight.

**Sail** - The sail is also weight sensitive and should be constructed using single wall corrugated material or any light weight material that will catch the wind. The sail can be stapled, screwed, or duct tapped to the furring strip that supports the moving target. The maximum recommended sail size is 20" x 16". User can determine the sail size depending on wind conditions and desired target movement. Wind speeds or gusts of approximately 10 mph are required to expose the threat target.

**Stationary Hostage** - the stationary hostage can be constructed using any corrugated, thin wood, or plastic materials.

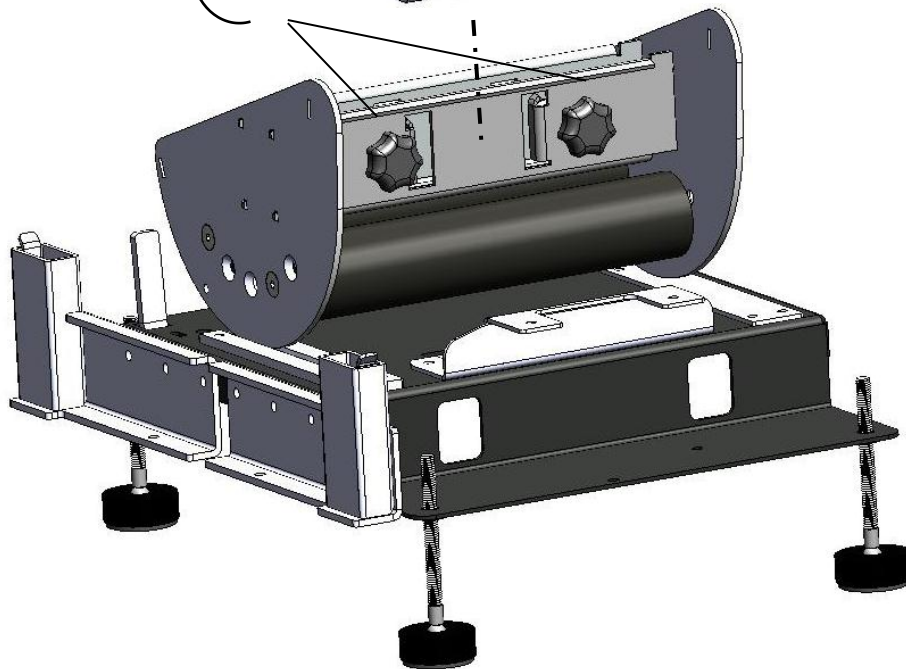
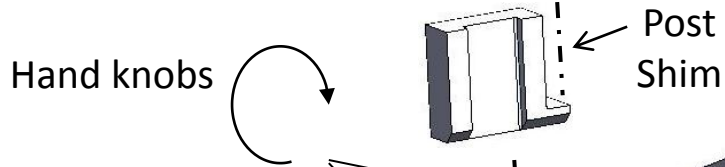
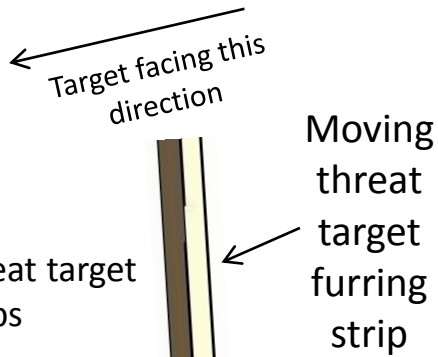




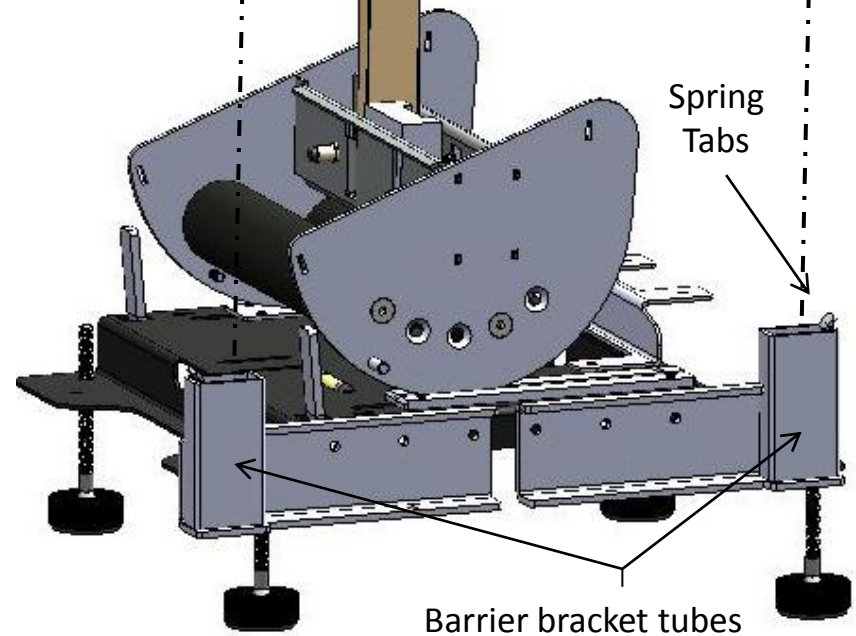
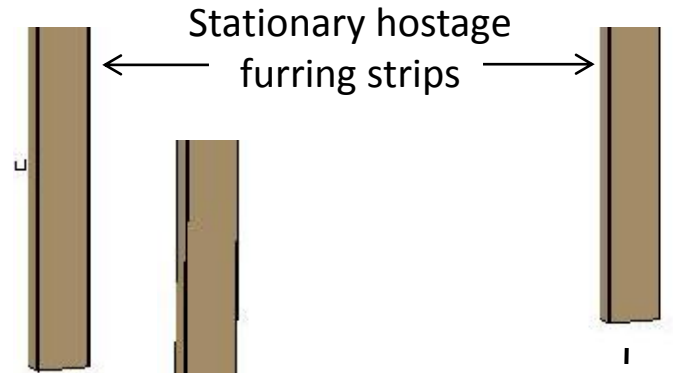
# Target Installation

## Steps

1. Install post shim
2. Install moving threat target
3. Tighten hand knobs



4. Install stationary hostage furring strips into barrier bracket tubes. Bend spring tabs if needed to achieve a tight fit.

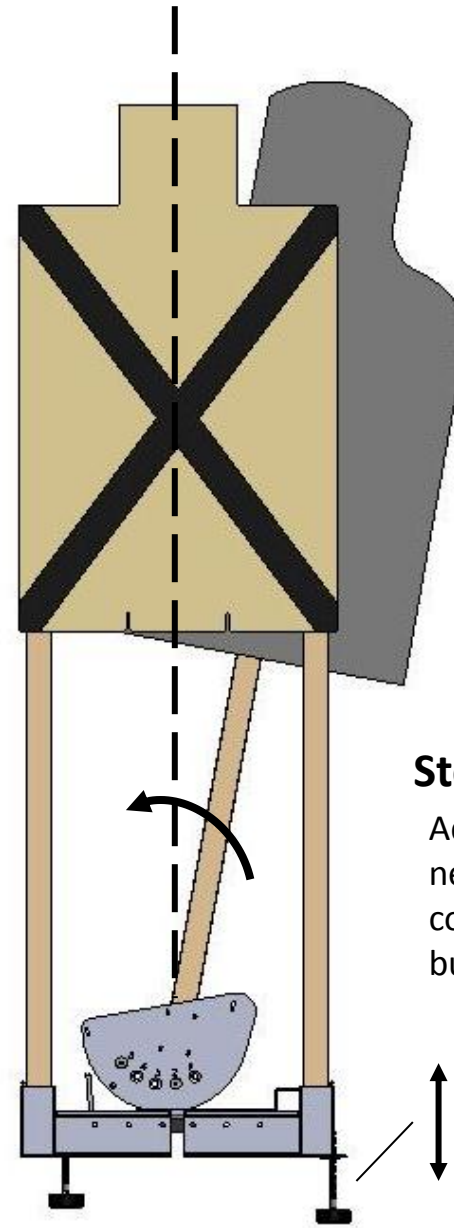
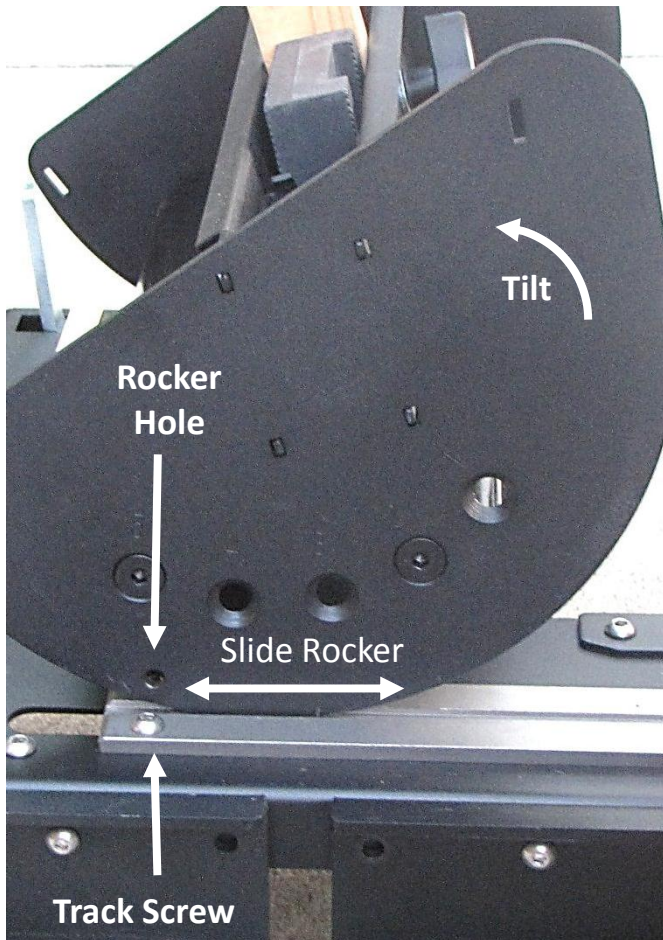




# Position Rocker on Base

## Step 1

Slide Rocker Assembly left or right in track as needed until rocker hole and track screw are in-line when rocker is tilted as shown.



## Step 2

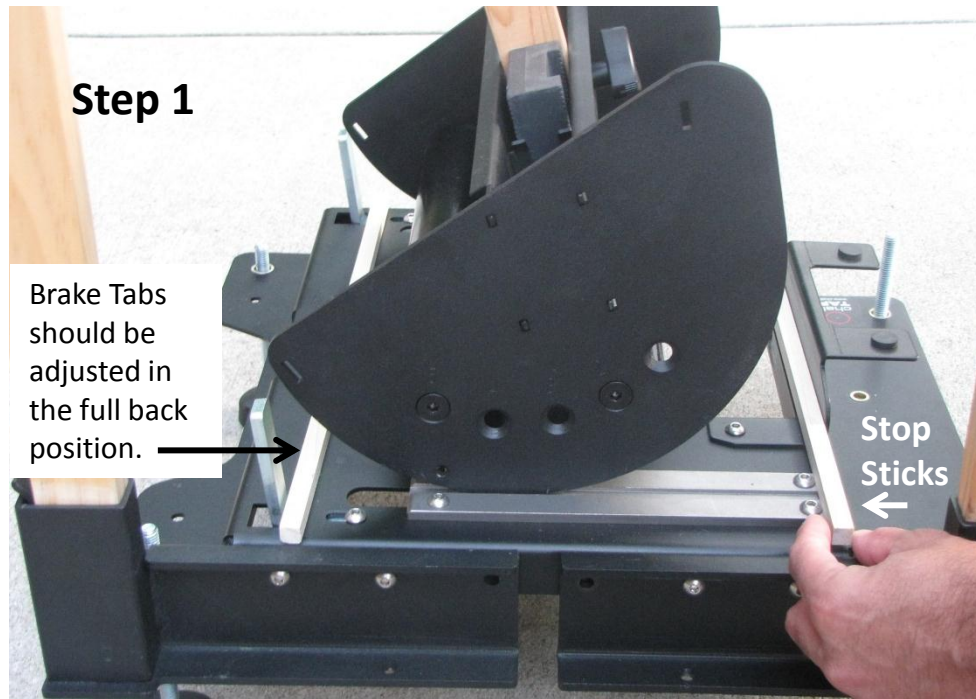
Adjust Level Feet up or down as needed until threat target is concealed. Double check the bubble level after this step.

# Stop Stick Installation

## Step 1

Install stop sticks as shown. These stops will prevent Rocker Assembly from tipping over during strong wind gusts.

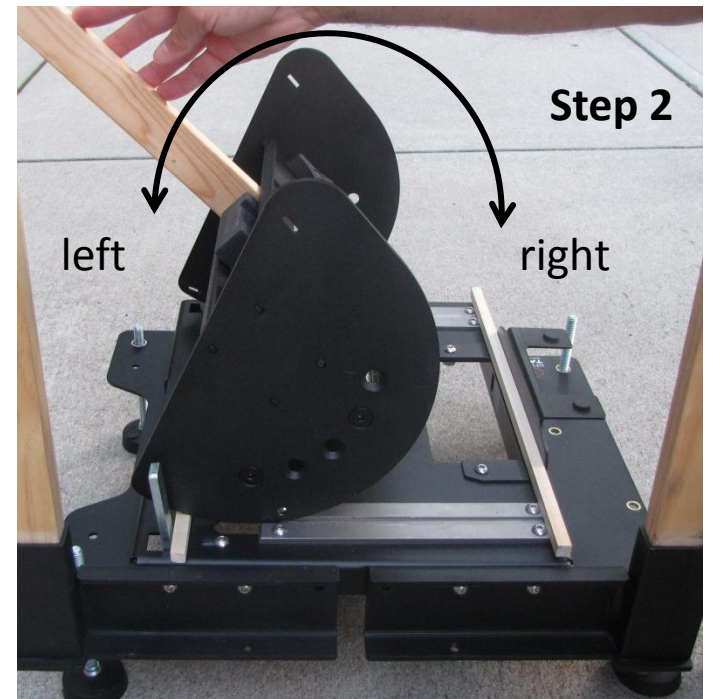
**Note:** *If wind conditions are very mild, Stop Sticks can be used to hold the threat target in a constant exposed position.*



## Step 2

Tilt Rocker completely left until it bumps against the stop stick then release. Rocker should return to vertical position. Tilt Rocker completely right until it stops against the stop stick then release. Rocker should return to vertical position.

If rocker does not return to vertical position, check to make sure Rocker is positioned correctly on the base (see Step 1 page 9). If rocker still does not return to vertical position, the target weight is too heavy or the height is too tall. Reduce target weight and/or height and re-check step 2.



# Warrantee / Return Policy

## Manufacturer's Warranty

Challenge Targets will replace or repair any item that does not function correctly due to defective components or workmanship for a period of 1 year from the date of purchase. Challenge Targets reserves the right to *not* warranty any product under these circumstances:

- A product damaged by bullet strikes . (No portion of the CT101 system is built to withstand bullet strikes)
- A product that has been modified or altered by anyone other than an authorized Challenge Targets repair technician.

## Returns

Before you can return a component part or target system for repair, you must first contact Challenge Targets to obtain a Return Material Authorization (RMA) number. You are responsible for the cost of shipping the returned items. Returned products covered by warranty will be repaired or replaced and returned at Challenge Targets expense.

For RMA numbers, contact our customer service department at:

**Phone:** 1-800-859-5841 ext# 15

**email:** sales@challengetargets.com

## Return Shipping Address

Returned packages should be clearly marked on the outside of the package as follows:

**Challenge Targets**

**RMA# \_\_\_\_\_**

Return Shipping Address:

**Challenge Targets / ADC**

**Attn: Service Department**

**4101 Founders Blvd.**

**Batavia, OH 45103**

---

